

FEATURES

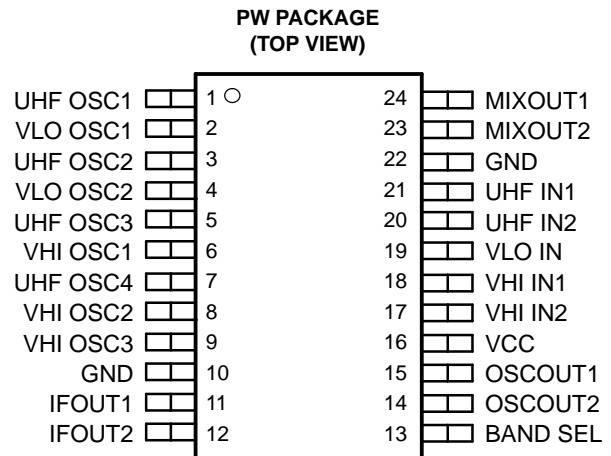
- Mixer/Oscillator for TV Tuner
- Three-Band Local Oscillator and Mixer
- Local Oscillator Output
- 5-V Power Supply
- 24-Pin TSSOP Package

APPLICATIONS

- TV
- VCR

DESCRIPTION

The SN761685 is a monolithic IC designed for TV tuning systems. The circuit consists of a three-band local oscillator and mixer, and is available in a small outline package.



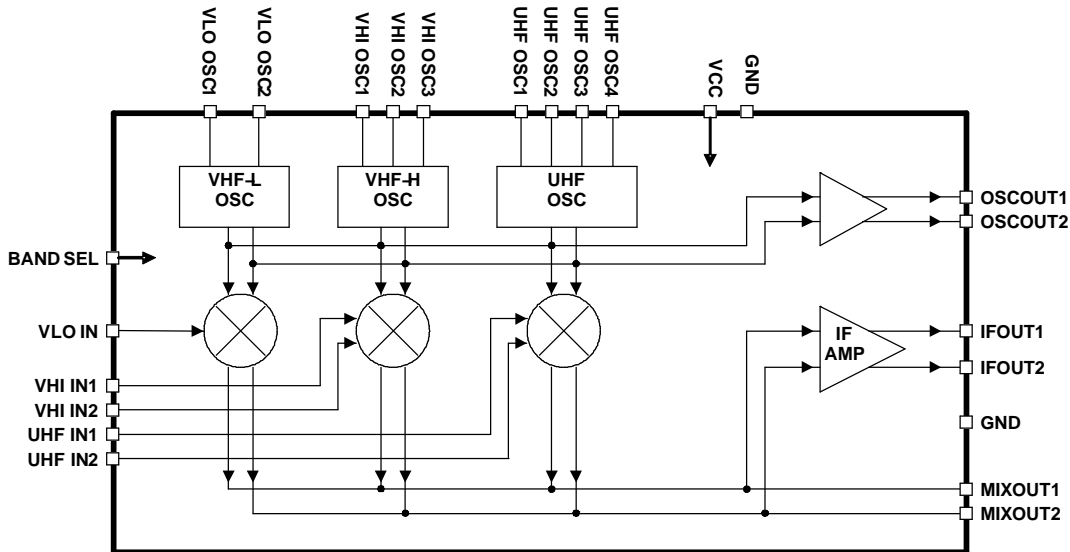
Please be aware that an important notice concerning availability, standard warranty, and use in critical applications of Texas Instruments semiconductor products and disclaimers thereto appears at the end of this data sheet.



This integrated circuit can be damaged by ESD. Texas Instruments recommends that all integrated circuits be handled with appropriate precautions. Failure to observe proper handling and installation procedures can cause damage.

UHF IN1 and UHF IN2 (pins 20 and 21) withstand 1 kV, and all other pins withstand 2 kV, according to the human body model (1.5 kΩ, 100 pF).

Functional Block Diagram



Pin Assignments

Pin Description

TERMINAL NAME		NO.	DESCRIPTION	SCHEMATIC
BAND SEL	13	Band selection input	Figure 1	
GND	10, 22	Ground		
IF OUT1	11	IF amplifier output 1	Figure 2	
IF OUT2	12	IF amplifier output 2	Figure 2	
MIXOUT1	24	Mixer output 1	Figure 3	
MIXOUT2	23	Mixer output 2	Figure 3	
OSCOUT1	15	Local oscillator output 1	Figure 4	
OSCOUT2	14	Local oscillator output 2	Figure 4	
UHF IN1	21	UHF mixer input 1	Figure 5	
UHF IN2	20	UHF mixer input 2	Figure 5	
UHF OSC 1	1	UHF oscillator 1	Figure 6	
UHF OSC 2	3	UHF oscillator 2	Figure 6	
UHF OSC 3	5	UHF oscillator 3	Figure 6	
UHF OSC 4	7	UHF oscillator 4	Figure 6	
VCC	16	VCC 5 V		
VHI IN1	18	VHF HIGH mixer input 1	Figure 7	
VHI IN2	17	VHF HIGH mixer input 2	Figure 7	
VHI OSC 1	6	VHF HIGH oscillator 1	Figure 8	
VHI OSC 2	8	VHF HIGH oscillator 2	Figure 8	
VHI OSC 3	9	VHF HIGH oscillator 3	Figure 8	
VLO IN	19	VHF LOW mixer input	Figure 9	

Pin Assignments (continued)
Pin Description (continued)

TERMINAL NAME		NO.	DESCRIPTION	SCHEMATIC
VLO OSC 1		2	VHF LOW oscillator 1	Figure 10
VLO OSC 2		4	VHF LOW oscillator 2	Figure 10

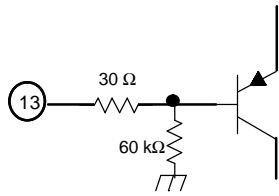


Figure 1.

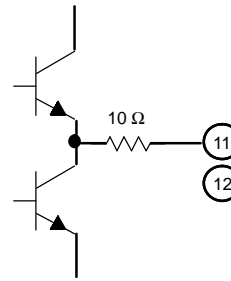


Figure 2.

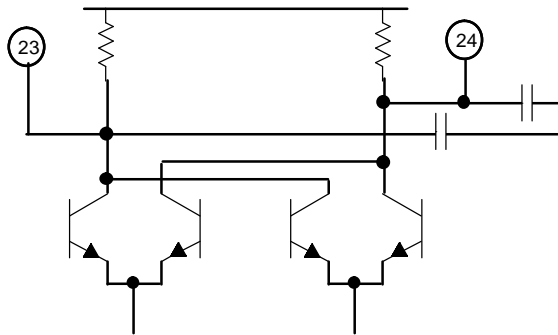


Figure 3.

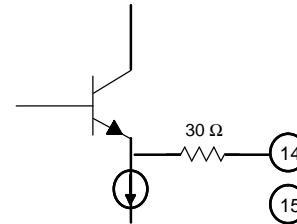


Figure 4.

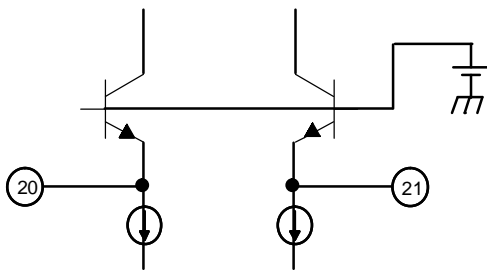


Figure 5.

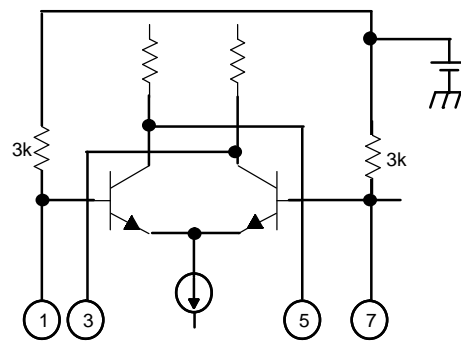


Figure 6.

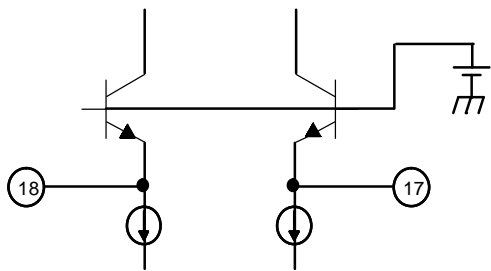


Figure 7.

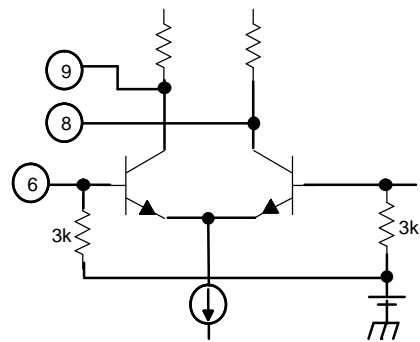


Figure 8.

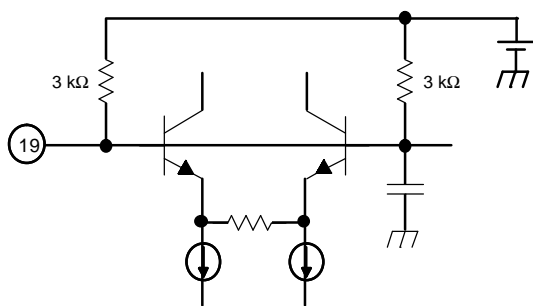


Figure 9.

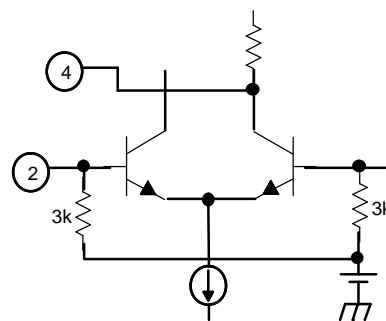


Figure 10.

ABSOLUTE MAXIMUM RATINGS

over operating free-air temperature range (unless otherwise noted) ⁽¹⁾

Supply voltage, V_{CC} ⁽²⁾	VCC (Pin 16)	–0.4 V to 6.5 V
Input voltage ⁽²⁾	V_{IN} (Pins 1–9, 11–15, 17–21, 23, 24)	–0.4 V to 6.5 V
Continuous total dissipation, P_D ⁽³⁾	$T_A \leq 25^\circ\text{C}$	1092 mW
Storage temperature range, T_{stg}		–65°C to 150°C
Maximum junction temperature, T_J		150°C
Maximum short-circuit time, $t_{SC(max)}$	Each pin to V_{CC} or to GND	10 s

(1) Stresses beyond those listed under "absolute maximum ratings" may cause permanent damage to the device. These are stress ratings only, and functional operation of the device at these or any other conditions beyond those indicated under "recommended operating conditions" is not implied. Exposure to absolute-maximum-rated conditions for extended periods may affect device reliability.

(2) Voltage values are with respect to the IF GND of the circuit.

(3) Derating factor is 8.73 mW/°C for $T_A \geq 25^\circ\text{C}$.

RECOMMENDED OPERATING CONDITIONS

over operating free-air temperature range (unless otherwise noted)

	MIN	NOM	MAX	UNIT
Supply voltage, V_{CC}	4.5	5	5.5	V
Operating free-air temperature, T_A	–20		85	°C

ELECTRICAL CHARACTERISTICS, DC Parameters

$V_{CC} = 5\text{ V}$, $T_A = 25^\circ\text{C}$, unless otherwise noted

PARAMETER		TEST CONDITIONS	MIN	TYP	MAX	UNIT
I_{CC}	Supply current	VHF-LOW band, no signal		43		mA
V_{SEL1}	Voltage on band selection (BAND SEL)	VHF-LOW band	0		$0.18 V_{CC}$	V
V_{SEL2}		VHF-HIGH band	$0.26 V_{CC}$		$0.47 V_{CC}$	
V_{SEL3}		UHF band	$0.55 V_{CC}$		V_{CC}	
I_{SEL}	Input current (BAND SEL)	$V_{SEL} = 5\text{ V}$			130	μA

ELECTRICAL CHARACTERISTICS, AC Parameters

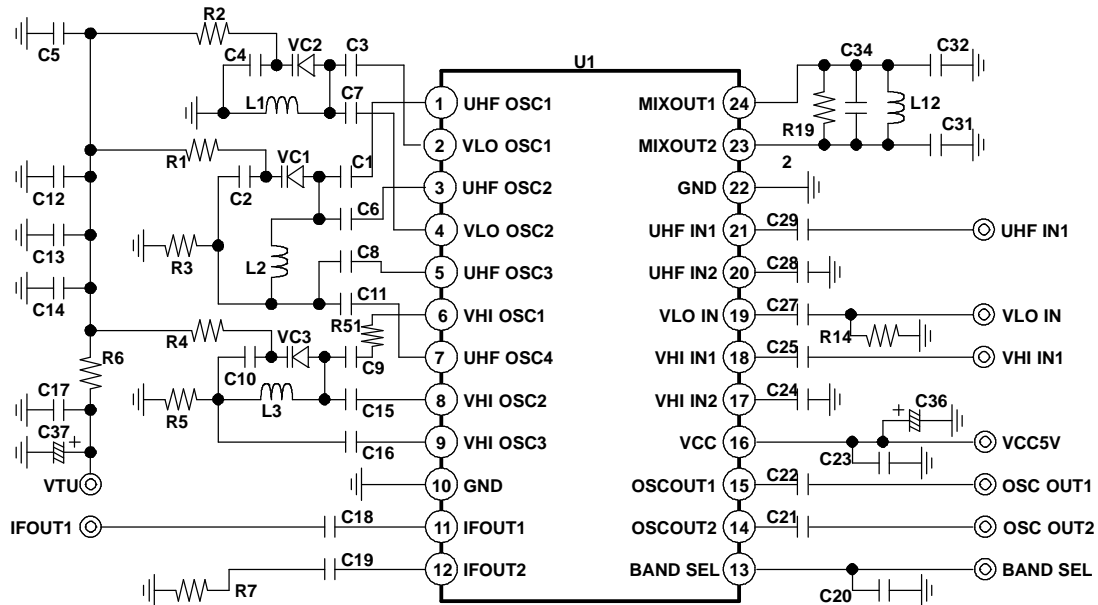
$V_{CC} = 5\text{ V}$, $T_A = 25^\circ\text{C}$, measured in reference measurement circuit of 50- Ω system, IF filter characteristics: $f_{PEAK} = 36\text{ MHz}$, unless otherwise noted

PARAMETER		TEST CONDITIONS	MIN	TYP	MAX	UNIT
G_{c1}	Conversion gain, VHF-LOW ⁽¹⁾	$f_{IN} = 50\text{ MHz}$	22	25	28	dB
G_{c3}		$f_{IN} = 170\text{ MHz}$	22	25	28	
G_{c4}	Conversion gain, VHF-HIGH ⁽²⁾	$f_{IN} = 170\text{ MHz}$	21	24	27	dB
G_{c6}		$f_{IN} = 450\text{ MHz}$	21	24	27	
G_{c7}	Conversion gain, VHF-UHF ⁽²⁾	$f_{IN} = 450\text{ MHz}$	21	24	27	dB
G_{c9}		$f_{IN} = 860\text{ MHz}$	21	24	27	
NF_1	Noise figure, VHF-LOW (see Figure 14)	$f_{IN} = 50\text{ MHz}$		9.5		dB
NF_3		$f_{IN} = 170\text{ MHz}$		9.5		
NF_4	Noise figure, VHF-HIGH (see Figure 15)	$f_{IN} = 170\text{ MHz}$		12		dB
NF_6		$f_{IN} = 450\text{ MHz}$		12		
NF_7	Noise figure, UHF (see Figure 15)	$f_{IN} = 450\text{ MHz}$		11		dB
NF_9		$f_{IN} = 860\text{ MHz}$		11		
CM_1	1% cross-modulation, VHF-LOW ⁽³⁾	$f_{IN} = 50\text{ MHz}$		88		dB μ V
CM_3		$f_{IN} = 170\text{ MHz}$		90		
CM_4	1% cross-modulation, VHF-HIGH ⁽⁴⁾	$f_{IN} = 170\text{ MHz}$		84		dB μ V
CM_6		$f_{IN} = 450\text{ MHz}$		84		
CM_7	1% cross-modulation, UHF ⁽⁴⁾	$f_{IN} = 450\text{ MHz}$		85		dB μ V
CM_9		$f_{IN} = 860\text{ MHz}$		85		
V_{IFO1}	IF output voltage, VHF-LOW ⁽⁵⁾	$f_{IN} = 50\text{ MHz}$		117		dB μ V
V_{IFO3}		$f_{IN} = 170\text{ MHz}$		117		
V_{IFO4}	IF output voltage, VHF-HIGH ⁽⁶⁾	$f_{IN} = 170\text{ MHz}$		117		dB μ V
V_{IFO6}		$f_{IN} = 450\text{ MHz}$		117		
V_{IFO7}	IF output voltage, UHF ⁽⁶⁾	$f_{IN} = 450\text{ MHz}$		117		dB μ V
V_{IFO9}		$f_{IN} = 860\text{ MHz}$		117		
Δf_{SWO1}	SW ON drift, VHF-LOW ⁽⁷⁾	$f_{OSC} = 86\text{ MHz}$			± 300	kHz
Δf_{SWO3}		$f_{OSC} = 206\text{ MHz}$			± 400	
Δf_{SWO4}	SW ON drift, VHF-HIGH ⁽⁷⁾	$f_{OSC} = 206\text{ MHz}$			± 300	kHz
Δf_{SWO6}		$f_{OSC} = 486\text{ MHz}$			± 400	
Δf_{SWO7}	SW ON drift, UHF ⁽⁷⁾	$f_{OSC} = 486\text{ MHz}$			± 400	kHz
Δf_{SWO9}		$f_{OSC} = 896\text{ MHz}$			± 500	
Δf_{VSO1}	Frequency sift on V_{CC} , VHF-LOW (NOTE13)	$f_{OSC} = 86\text{ MHz}$			± 150	kHz
Δf_{VSO3}		$f_{OSC} = 206\text{ MHz}$			± 250	
Δf_{VSO4}	Frequency sift on V_{CC} , VHF-HIGH ⁽⁸⁾	$f_{OSC} = 206\text{ MHz}$			± 150	kHz
Δf_{VSO6}		$f_{OSC} = 486\text{ MHz}$			± 250	
Δf_{VSO7}	Frequency sift on V_{CC} , UHF ⁽⁸⁾	$f_{OSC} = 486\text{ MHz}$			± 150	kHz
Δf_{VSO9}		$f_{OSC} = 896\text{ MHz}$			± 250	

- (1) IF = 36 MHz, $V_{IN} = 70\text{ dB}\mu\text{V}$ (see [Figure 12](#)).
- (2) IF = 36 MHz, $V_{IN} = 70\text{ dB}\mu\text{V}$ (see [Figure 13](#)).
- (3) DES: $V_{IN} = 80\text{ dB}\mu\text{V}$, UNDES: $f_{des} \pm 6\text{ MHz}$, AM 1 kHz, 30%, DES/CM = S/I = 46 dB (see [Figure 16](#)).
- (4) DES: $V_{IN} = 80\text{ dB}\mu\text{V}$, UNDES: $f_{des} \pm 6\text{ MHz}$ AM 1 kHz 30%, DES/CM = S/I = 46 dB (see [Figure 17](#)).
- (5) IF = 36 MHz, $V_{IN} = 107\text{ dB}\mu\text{V}$ (see [Figure 18](#)).
- (6) IF = 36 MHz, $V_{IN} = 107\text{ dB}\mu\text{V}$, (see [Figure 19](#)).
- (7) Delta frequency from 3 s to 3 min after switch on
- (8) Delta frequency when $V_{CC} = 5\text{ V}$ changes $\pm 10\%$

APPLICATION INFORMATION

Reference Measurement Circuit



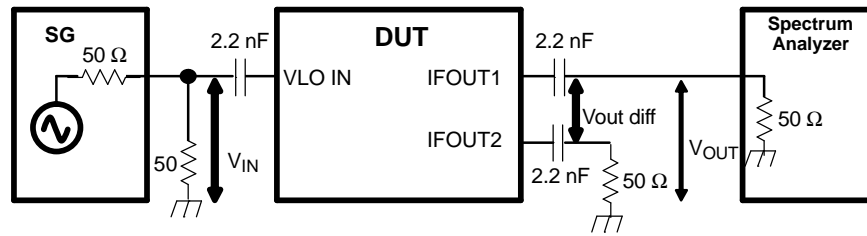
NOTE: This application information is advisory, and a performance check is required for actual application circuits. TI assumes no responsibility for the consequences of the use of this circuit, such as an infringement of intellectual property rights or other rights, including patents, of third parties.

Figure 11. Reference Measurement Circuit

APPLICATION INFORMATION (continued)
Component Values for Measurement Circuit

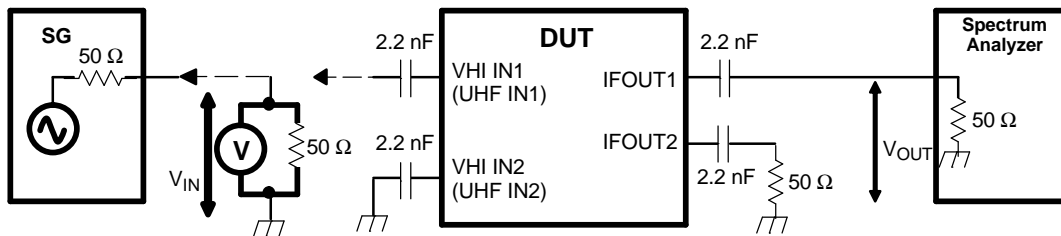
PART NAME	VALUE	PART NAME	VALUE
C1 (UHF OSC)	2 pF	C28 (UHF IN2)	2.2 nF
C2 (UHF OSC)	15 pF	C29 (UHF IN1)	2.2 nF
C3 (VLO OSC)	1.5 pF	C31 (MIXOUT)	Open
C4 (VLO OSC)	120 pF	C32 (MIXOUT)	Open
C5 (VTU)	Open	C34 (MIXOUT)	15 pF
C6 (UHF OSC)	1.5 pF	C36 (VCC)	47 μF
C7 (VLO OSC)	2 pF	C37 (VTU)	47 μF/50 V
C8 (UHF OSC)	1.5 pF	L1 (VHI OSC)	φ3 mm, 8T, wire 0,32 mm
C9 (VHI OSC)	3 pF	L2 (UHF OSC)	φ1.8 mm, 2T, wire 0,4 mm
C10 (VHI OSC)	91 pF	L3 (VHI OSC)	φ2 mm, 4T, wire 0,4 mm
C11 (UHF OSC)	2 pF	L12 (MIXOUT)	φ3 mm, 25T, wire 0,29 mm
C12 (VTU)	2.2 nF	R1(UHF OSC)	22 kΩ
C13 (VTU)	2.2 nF	R2 (VLO OSC)	33 kΩ
C14 (VTU)	2.2 nF	R3 (UHF OSC)	22 kΩ
C15 (VHI OSC)	3 pF	R4 (VHI OSC)	33 kΩ
C16 (VHI OSC)	Open	R5 (VHI OSC)	0 Ω
C17 (VTU)	1 μF/50 V	R6 (VTU)	22 kΩ
C18 (IF OUT1)	2.2 nF	R7 (IFOUT2)	50 Ω
C19 (IF OUT2)	2.2 nF	R14 (VLO IN)	Open or 50 Ω
C20 (BAND SEL)	0.1 μF	R19 (MIXOUT)	Open
C21 (OSC OUT2)	2.2 nF	R51 (VHI OSC)	0 Ω
C22 (OSC OUT1)	2.2 nF	U1	SN761685
C23 (VCC)	0.1 μF	VC1 (UHF OSC)	1T363A
C24 (VHI IN2)	2.2 nF	VC2 (VLO OSC)	1T363A
C25 (VHI IN1)	2.2 nF	VC3 (VHI OSC)	1T363A
C27 (VLO IN)	2.2 nF		

Test Circuits



$$GC = 20\log(V_{out\ diff} / V_{IN}) = 20\log(V_{OUT} / V_{IN}) + 6$$

Figure 12. VHF-L Conversion Gain-Measurement Circuit



$$GC = 20\log(V_{out} / V_{IN})$$

Input: No Matching

Figure 13. VHF-H, UHF-Conversion Gain-Measurement Circuit

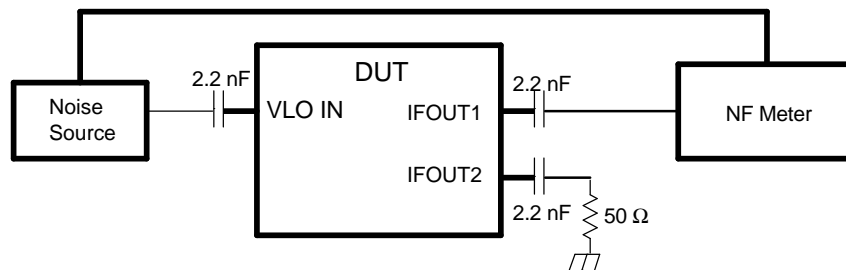


Figure 14. VHF-L Noise-Figure Measurement Circuit

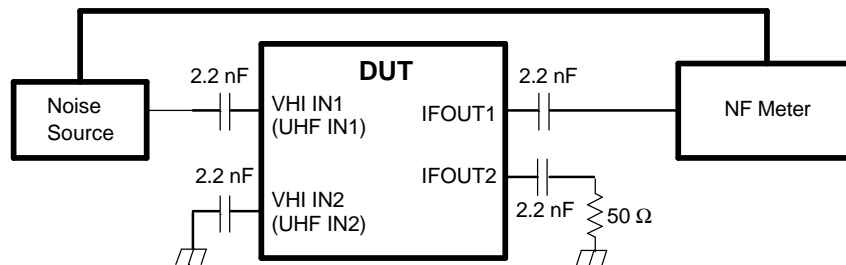


Figure 15. VHF-H, UHF Noise-Figure Measurement Circuit

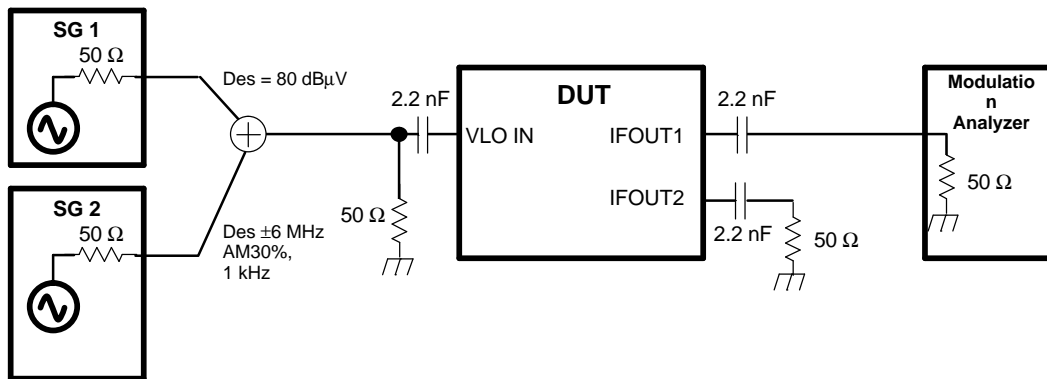


Figure 16. VHF-L 1% Cross-Modulation Distortion Measurement Circuit

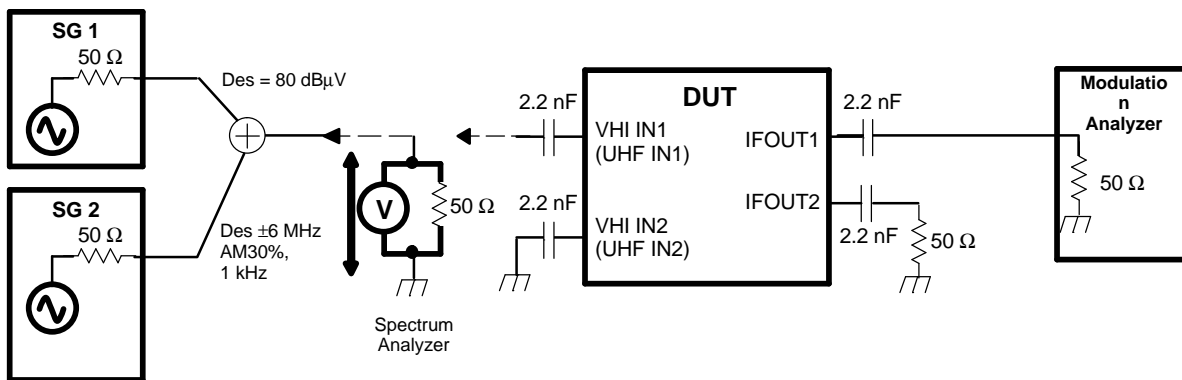


Figure 17. VHF-L 1% Cross-Modulation Distortion Measurement Circuit

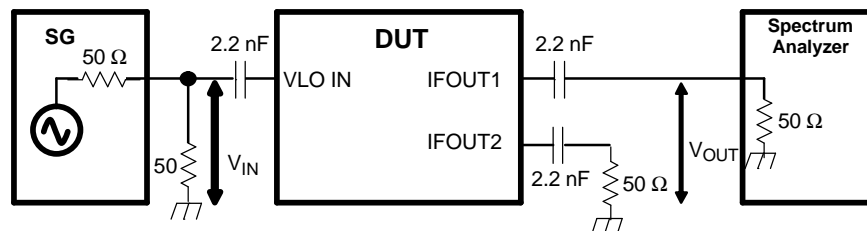


Figure 18. VHF-L Output Voltage Measurement Circuit

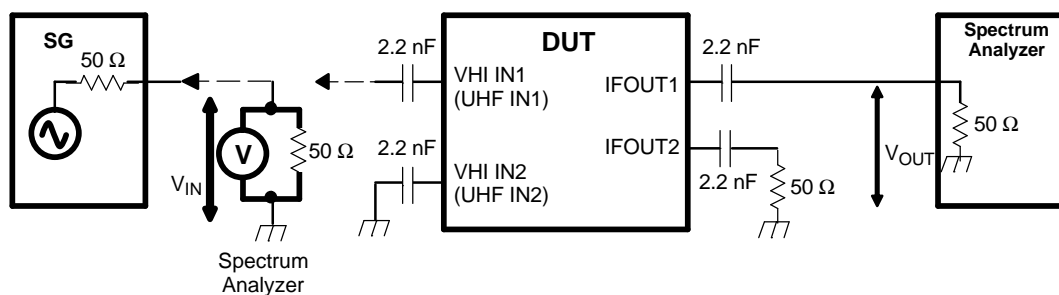


Figure 19. VHF-H, UHF Output Voltage Measurement Circuit

TYPICAL CHARACTERISTICS

S-Parameter

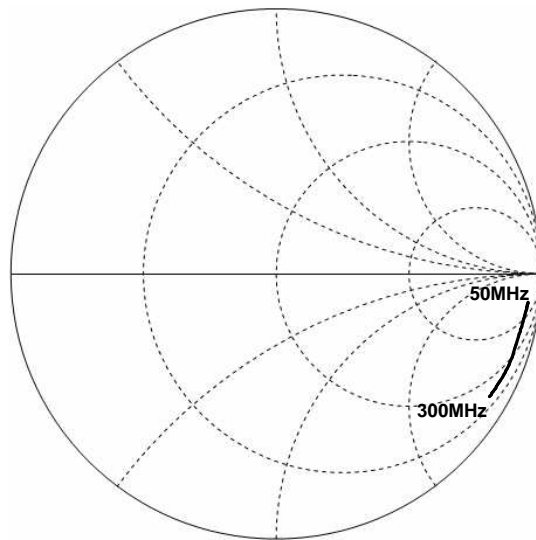


Figure 20. VLO IN

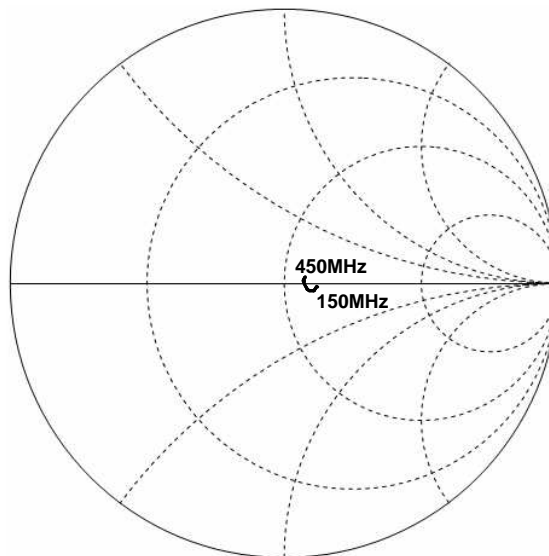


Figure 21. VH IN1,2

TYPICAL CHARACTERISTICS (continued)

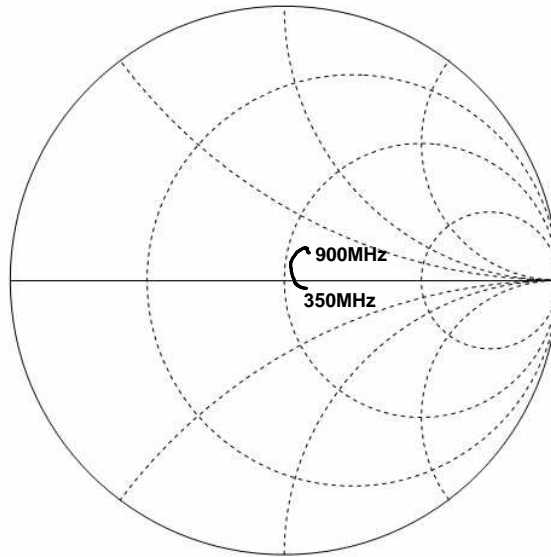


Figure 22. UHF IN1,2

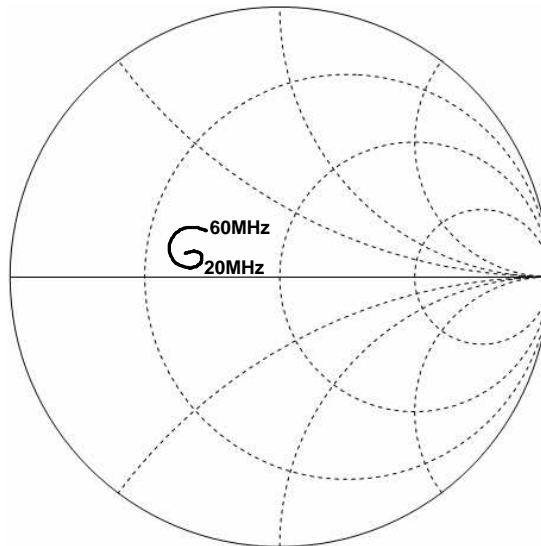


Figure 23. IFOUT1,2

PW (R-PDSO-G**)

PLASTIC SMALL-OUTLINE PACKAGE

14 PINS SHOWN



4040064/F 01/97

- NOTES: A. All linear dimensions are in millimeters.
 B. This drawing is subject to change without notice.
 C. Body dimensions do not include mold flash or protrusion not to exceed 0,15.
 D. Falls within JEDEC MO-153

IMPORTANT NOTICE

Texas Instruments Incorporated and its subsidiaries (TI) reserve the right to make corrections, modifications, enhancements, improvements, and other changes to its products and services at any time and to discontinue any product or service without notice. Customers should obtain the latest relevant information before placing orders and should verify that such information is current and complete. All products are sold subject to TI's terms and conditions of sale supplied at the time of order acknowledgment.

TI warrants performance of its hardware products to the specifications applicable at the time of sale in accordance with TI's standard warranty. Testing and other quality control techniques are used to the extent TI deems necessary to support this warranty. Except where mandated by government requirements, testing of all parameters of each product is not necessarily performed.

TI assumes no liability for applications assistance or customer product design. Customers are responsible for their products and applications using TI components. To minimize the risks associated with customer products and applications, customers should provide adequate design and operating safeguards.

TI does not warrant or represent that any license, either express or implied, is granted under any TI patent right, copyright, mask work right, or other TI intellectual property right relating to any combination, machine, or process in which TI products or services are used. Information published by TI regarding third-party products or services does not constitute a license from TI to use such products or services or a warranty or endorsement thereof. Use of such information may require a license from a third party under the patents or other intellectual property of the third party, or a license from TI under the patents or other intellectual property of TI.

Reproduction of TI information in TI data books or data sheets is permissible only if reproduction is without alteration and is accompanied by all associated warranties, conditions, limitations, and notices. Reproduction of this information with alteration is an unfair and deceptive business practice. TI is not responsible or liable for such altered documentation. Information of third parties may be subject to additional restrictions.

Resale of TI products or services with statements different from or beyond the parameters stated by TI for that product or service voids all express and any implied warranties for the associated TI product or service and is an unfair and deceptive business practice. TI is not responsible or liable for any such statements.

TI products are not authorized for use in safety-critical applications (such as life support) where a failure of the TI product would reasonably be expected to cause severe personal injury or death, unless officers of the parties have executed an agreement specifically governing such use. Buyers represent that they have all necessary expertise in the safety and regulatory ramifications of their applications, and acknowledge and agree that they are solely responsible for all legal, regulatory and safety-related requirements concerning their products and any use of TI products in such safety-critical applications, notwithstanding any applications-related information or support that may be provided by TI. Further, Buyers must fully indemnify TI and its representatives against any damages arising out of the use of TI products in such safety-critical applications.

TI products are neither designed nor intended for use in military/aerospace applications or environments unless the TI products are specifically designated by TI as military-grade or "enhanced plastic." Only products designated by TI as military-grade meet military specifications. Buyers acknowledge and agree that any such use of TI products which TI has not designated as military-grade is solely at the Buyer's risk, and that they are solely responsible for compliance with all legal and regulatory requirements in connection with such use.

TI products are neither designed nor intended for use in automotive applications or environments unless the specific TI products are designated by TI as compliant with ISO/TS 16949 requirements. Buyers acknowledge and agree that, if they use any non-designated products in automotive applications, TI will not be responsible for any failure to meet such requirements.

Following are URLs where you can obtain information on other Texas Instruments products and application solutions:

Products

Amplifiers	amplifier.ti.com
Data Converters	dataconverter.ti.com
DSP	dsp.ti.com
Clocks and Timers	www.ti.com/clocks
Interface	interface.ti.com
Logic	logic.ti.com
Power Mgmt	power.ti.com
Microcontrollers	microcontroller.ti.com
RFID	www.ti-rfid.com
RF/IF and ZigBee® Solutions	www.ti.com/lprf

Applications

Audio	www.ti.com/audio
Automotive	www.ti.com/automotive
Broadband	www.ti.com/broadband
Digital Control	www.ti.com/digitalcontrol
Medical	www.ti.com/medical
Military	www.ti.com/military
Optical Networking	www.ti.com/opticalnetwork
Security	www.ti.com/security
Telephony	www.ti.com/telephony
Video & Imaging	www.ti.com/video
Wireless	www.ti.com/wireless

Mailing Address: Texas Instruments, Post Office Box 655303, Dallas, Texas 75265
Copyright © 2008, Texas Instruments Incorporated